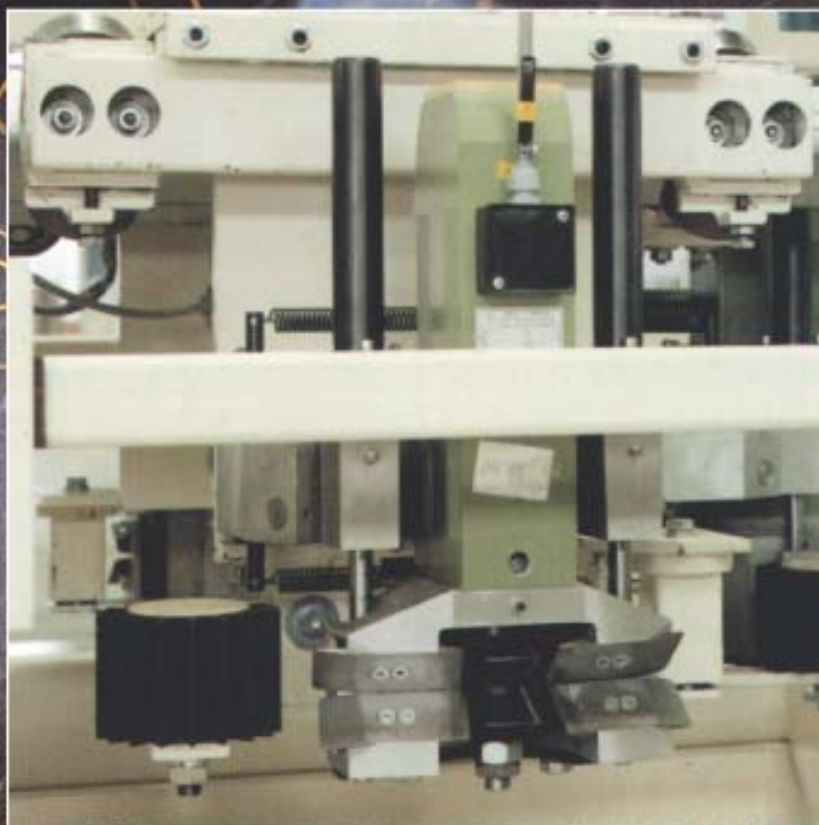


EDGE CLEANING MACHINE



SYSTRAPLAN 
Individuelle Materialfluß- und Lagertechnik

Know-how makes goods move

SYSTRAPLAN GmbH & Co. KG · Einsteinstraße 5 · 32052 Herford · Germany
Fon +49 (0) 52 21 / 76 77-0 · Fax +49 (0) 52 21 / 76 77-77 · www.systraplan.de

Edge cleaning machine

Cleaning and chamfering of foil and paper overhanging on all panel edges.

Automatic compensation of panel width and length tolerances.

Automatic setting to various panel thicknesses. Varying panel lengths do not require machine setting (shortest panel length approx. 1.500 mm).

Only differing panel widths require setting. Tungsten carbide turnover tips ensure a long tool operating life.

Edge pre-breaking gears reduce the edge prior to cutting the paper overhang. The waste drops into a funnel with transport worm, the outlet end of which is connected to an extraction system. The machine is enclosed on all sides.

As a competitive and flexible company we are swiftly responding to specific customer demands.



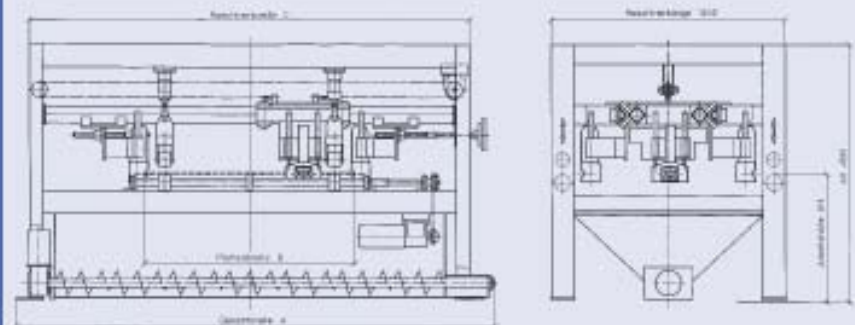
For further information: www.systraplan.de

We also serve following industries:

- Wood based board industry
- Building board industry
- Sheet metal processing industry
- Rubber processing industry
- Plastic board industry
- Flat glass industry

Further SYSTRAPLAN products:

- High performance feeding- and stacking system
- Material flow and handling systems
- Cross- and trimming saws, gantry saws
- Storage- and commissioning systems



Mod. Plattentyp	A	C
P-1900	3200	3900
P-2000	3900	5220
P-2500	3800	3920
P-2700	4100	3820
P-2400	4200	4020
P-2600	4500	4220

Technische Daten	
Plattendicke	8 - 30 mm
Inst. Leistung	4,25 kW
art. Druckluft	s bar
Druckluftverbrauch	2000 l/h